

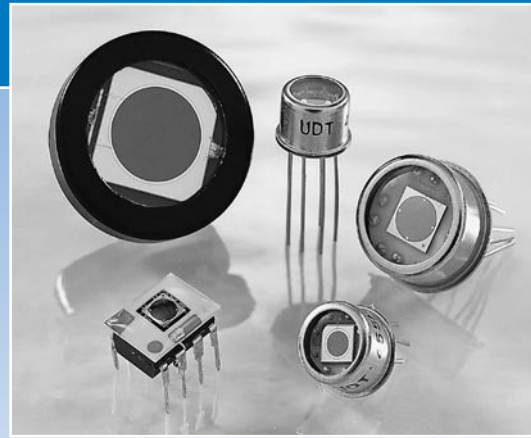
Photops™

Photodiode-Amplifier Hybrids

The Photop™ Series, combines a photodiode with an operational amplifier in the same package. Photops™ general-purpose detectors have a spectral range from either 350 nm to 1100 nm or 200 nm to 1100nm. They have an integrated package ensuring low noise output under a variety of operating conditions. These op-amps are specifically selected by OSI Optoelectronics engineers for compatibility to our photodiodes.

Among many of these specific parameters are low noise, low drift and capability of supporting a variety of gains and bandwidths determined by the external feedback components. Operation from DC level to several MHz is possible in an either unbiased configuration for low speed, low drift applications or biased for faster response time. LN-Series Photops™ are to be used with OV-bias.

Any modification of the above devices is possible. The modifications can be simply adding a bandpass optical filter, integration of additional chip (hybrid) components inside the same package, utilizing a different op-amp, photodetector replacement, modified package design and / or mount on PCB or ceramic. For your specific requirements, contact one of our Applications Engineers.



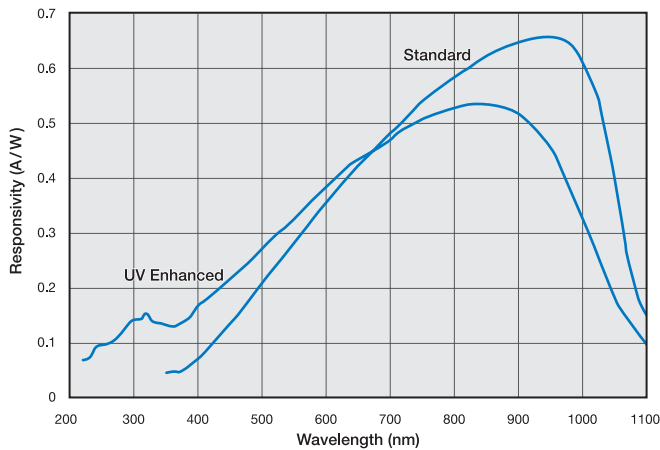
APPLICATIONS

- General Purpose Light Detection
- Laser Power Monitoring
- Medical Analysis
- Laser Communications
- Bar Code Readers
- Industrial Control Sensors
- Pollution Monitoring
- Guidance Systems
- Colorimeter

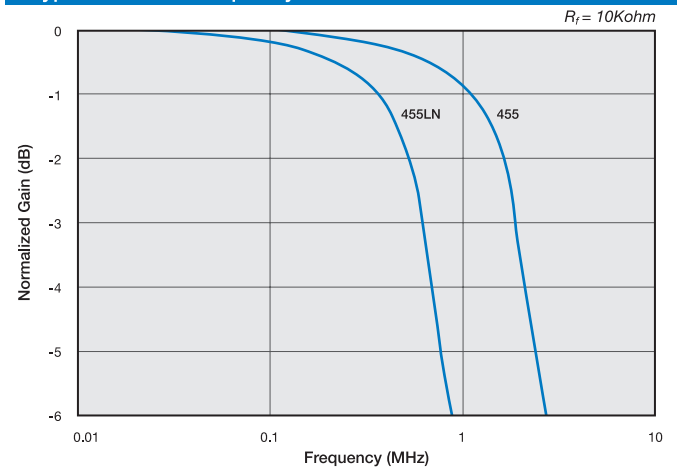
FEATURES

- Detector/Amplifier Combined
- Adjustable Gain/Bandwidth
- Low Noise
- Wide Bandwidth
- DIP Package
- Large Active Area

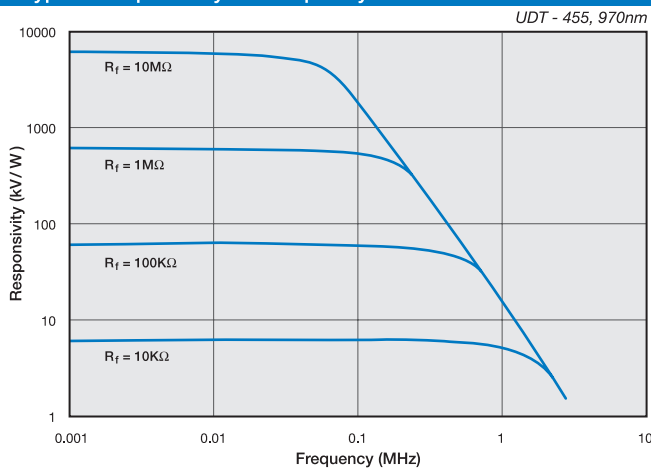
Typical Spectral Response



Typical Gain vs. Frequency



Typical Responsivity vs. Frequency



Photops™ (Photodiode Specifications)

Typical Electro-Optical Specifications at T_A=23°C

Model Number	Active Area		Responsivity (A/W)				Capacitance (pF)		Dark Current (nA)		Shunt Resistance (MΩ)	NEP (W/√Hz)		Reverse Voltage	Temp.* Range (°C)		Package Style		
	Area (mm²)	Dimension (mm)	254 nm		970 nm		0 V	-10 V	-10 V		-10 mV	0 V 254 nm	-10 V 970 nm	V	Operating	Storage			
			min.	typ.	min.	typ.	typ.	typ.	typ.	max.		typ.	typ.					max.	
350-1100 nm Spectral Range																			
UDT-451	5.1	2.54 φ	---	0.60	0.65	85	15	0.25	3	---	---	1.4 e -14	30**	---	0 ~ +70	-30 ~ +100	29 / DIP		
UDT-455																	30 / TO-5		
UDT-455LN**																	31 / TO-8		
OSI-515#																	32 / Special		
UDT-020D	16	4.57 φ	0.10	0.14	---	330	60	0.5	10	---	---	1.9 e -14	5**	---	0 ~ +70	-30 ~ +100	31 / TO-8		
UDT555D	100	11.3 φ				1500	300	2	25			3.9 e -14					32 / Special		
200-1100 nm Spectral Range																			
UDT-455UV	5.1	2.54 φ	0.10	0.14	---	300	---	---	---	---	---	100	9.2 e -14	---	5**	---	0 ~ +70	-30 ~ +100	30 / TO-5
UDT-455UV/LN**						1000						50	1.3 e -13						31 / TO-8
UDT-020UV	16	4.57 φ	0.10	0.14	---	2500	---	---	---	---	---	20	2.1 e -13	---	5**	---	0 ~ +70	-30 ~ +100	32 / Special
UDT-055UV	50	7.98 φ				4500						10	2.9 e -13						32 / Special
UDT-555UV	100	11.3 φ	0.10	0.14	---	---	---	---	---	---	---	---	---	---	5**	---	0 ~ +70	-30 ~ +100	32 / Special
UDT-555UV/LN**																			32 / Special

Operational Amplifier Specifications Electro-Optical Specifications at T_A=23 °C

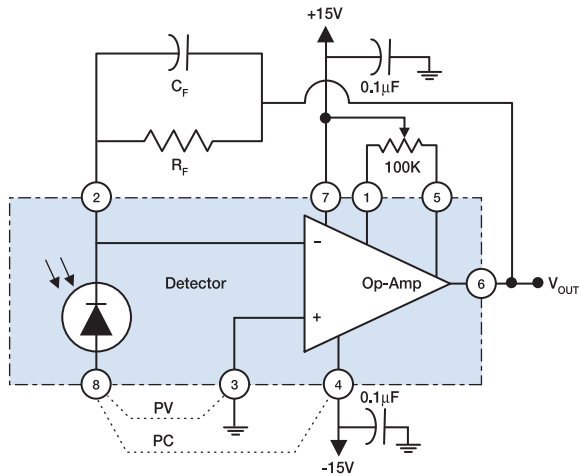
Model Number	Supply Voltage			Quiescent Supply Current (mA)		Input Offset Voltage		Temp. Coefficient Input Offset Voltage		Input Bias Current		Gain Bandwidth Product		Slew Rate		Open Loop Gain, DC		Input Noise Voltage		Input Noise Current
				typ.	max.	typ.	max.	typ.	max.	typ.	max.	typ.	max.	min.	typ.	min.	typ.	min.	typ.	typ.
	min.	typ.	max.	typ.	max.	typ.	max.	typ.	max.	typ.	max.	min.	typ.	min.	typ.	min.	typ.	typ.	typ.	typ.
UDT-451	---	±15	±18	1.4	2.5	3.0	6.0	10	---	30	200	---	4.0	---	13	50	150	---	18	10
UDT-455	---	±15	±18	2.8	5.0	0.5	3	4	30	±80	±400	3.0	5.4	5	9	50	200	20	15	10
UDT-455UV																				
UDT-020D																				
UDT-020UV																				
OSI-515#	---	±15	±18	6.5	7.2	1	3	10	---	±15	±40	23	26	125	140	3	6.3	---	12	10
UDT-455LN**	±5	±15	±18	0.9	1.8	0.26	1	---	20	0.15	0.3	0.5	1	0.5	3	50	2500	78	27	0.22
UDT-455UV/LN**																				
UDT-055UV	---	±15	±22	2.7	4.0	0.4	1	3	10	±40	±200	3.5	5.7	7.5	11	75	220	20	15	10
UDT-555D																				
UDT-555UV																				

† For mechanical drawings please refer to pages 58 thru 69.

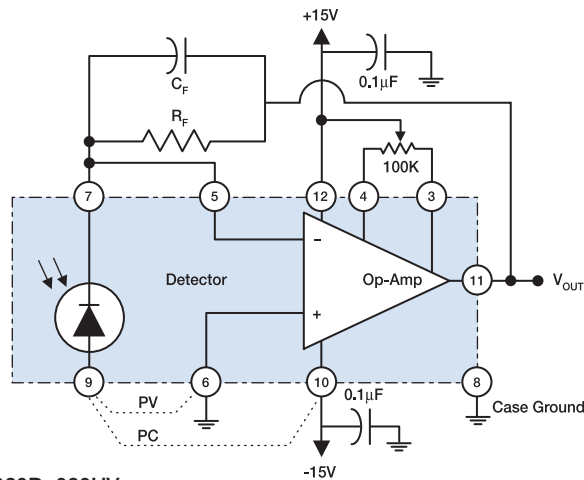
** LN – Series Devices are to be used with a 0V Bias.

* Non-Condensing temperature and Storage Range, Non-Condensing Environment.

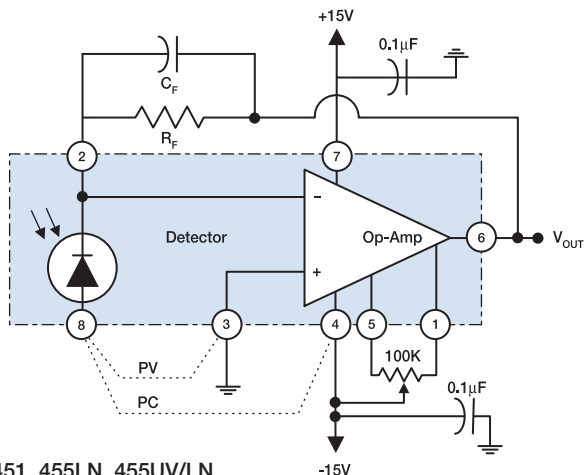
OSI-515 replaces UDT-455HS



UDT-455,
UDT-555D, 555UV, 055UV
OSI-515: pin 1 & 5 are N/C
(No offset adjustment needed).



UDT-020D, 020UV



UDT-451, 455LN, 455UV/LN
UDT-555UV/LN

The output voltage is proportional to the light intensity of the light and is given by:

$$V_{OUT} = I_P \times R_F \quad (1)$$

$$= (P \times R_\lambda) \times R_F$$

Frequency Response (Photodiode/Amplifier Combination)

The frequency response of the photodiode / amplifier combination is determined by the characteristics of the photodetector, pre-amplifier as well as the feedback resistor (R_F) and feedback capacitor (C_F). For a known gain, (R_F), the 3dB frequency response of the detector/pre-amp combination is given by:

$$f_{3dB} = \frac{1}{2\pi C_F R_F} \quad (2)$$

However, the desired frequency response is limited by the Gain Bandwidth Product (GBP) of the op-amp. In order to have a stable output, the values of the R_F and C_F must be chosen such that the 3dB frequency response of the detector / pre-amp combination, be less than the maximum frequency of the op-amp, i.e. $f_{3dB} \leq f_{max}$.

$$f_{max} = \sqrt{\frac{GBP}{2\pi R_F (C_F + C_J + C_A)}} \quad (3)$$

where C_A is the amplifier input capacitance.

In conclusion, an example for frequency response calculations, is given below. For a gain of 10^8 , an operating frequency of 100 Hz, and an op-amp with GBP of 5 MHz:

$$C_F = \frac{1}{2\pi f_{3dB} R_F} = 15.9pF \quad (4)$$

Thus, for $C_F = 15.9$ pF, $C_J = 15$ pF and $C_A = 7$ pF, f_{max} is about 14.5 kHz. Hence, the circuit is stable since $f_{3dB} \leq f_{max}$.

For more detailed application specific discussions and further reading, refer to the APPLICATION NOTES INDEX in the catalog.

Note: The shaded boxes represent the Photop™ components and their connections. The components outside the boxes are typical recommended connections and components.

1. Parameter Definitions:

A = Distance from top of chip to top of glass.

a = Photodiode Anode.

B = Distance from top of glass to bottom of case.

c = Photodiode Cathode

(Note: cathode is common to case in metal package products unless otherwise noted).

W = Window Diameter.

F.O.V. = Field of View (see definition below).

2. Dimensions are in inches (1 inch = 25.4 mm).

3. Pin diameters are 0.018 ± 0.002" unless otherwise specified.

4. Tolerances (unless otherwise noted)

General: 0.XX ±0.01"

0.XXX ±0.005"

Chip Centering: ±0.010"

Dimension 'A': ±0.015"

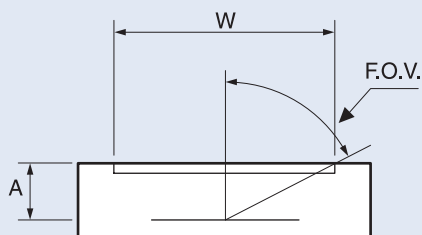
5. Windows

All '**UV**' Enhanced products are provided with QUARTZ glass windows, 0.027 ± 0.002" thick.

All '**XUV**' products are provided with removable windows.

All '**DLS**' PSD products are provided with A/R coated glass windows.

All '**FIL**' photoconductive and photovoltaic products are epoxy filled instead of glass windows.



$$F.O.V. = \tan^{-1} \left(\frac{W}{2A} \right)$$



For Further Assistance
Please Call One of Our Experienced
Sales and Applications Engineers

310-978-0516



- Or -
On the Internet at

www.osioptoelectronics.com

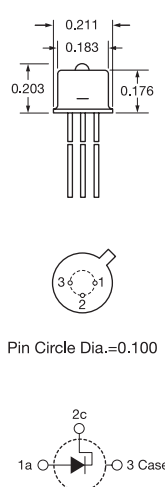

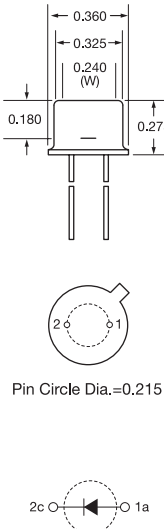
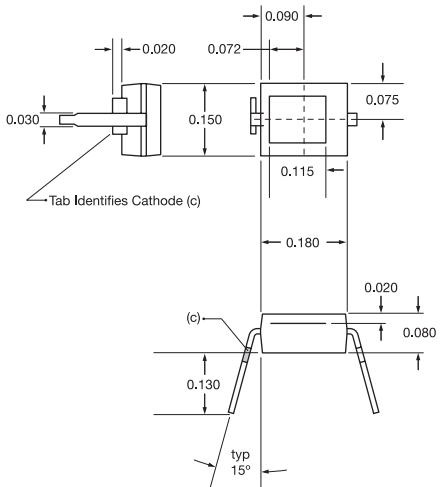
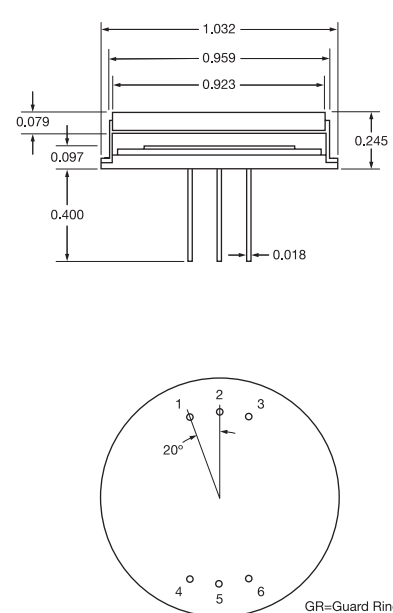
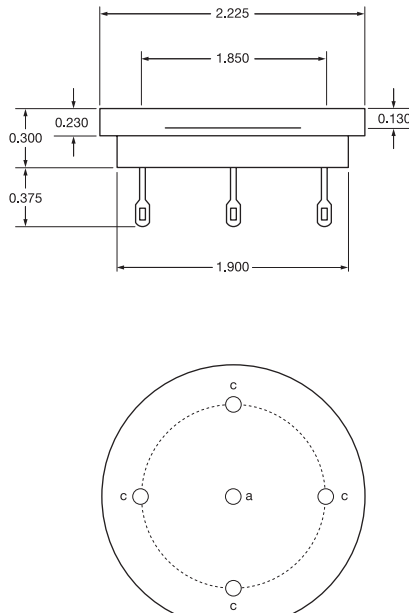
Mechanical Specifications

All units in inches. Pinouts are bottom view.

1 TO-18	2 TO-5	3 TO-8																																		
<p>Products:</p> <p>PIN-020A PIN-040A PIN-040-DP/SB</p> <p>Pin Circle Dia.=0.100</p> <table border="1"> <thead> <tr> <th>P/N</th> <th>A</th> <th>B</th> <th>W</th> </tr> </thead> <tbody> <tr> <td>PIN-020A</td> <td>0.075</td> <td>0.200</td> <td>0.155</td> </tr> <tr> <td>PIN-040A</td> <td>0.075</td> <td>0.200</td> <td>0.155</td> </tr> </tbody> </table>	P/N	A	B	W	PIN-020A	0.075	0.200	0.155	PIN-040A	0.075	0.200	0.155	<p>Products:</p> <p>PIN-5DI PIN-5DPI PIN-13DI PIN-13DPI PIN-5-YAG CD-25T</p> <p>Pin Circle Dia.=0.200</p> <table border="1"> <thead> <tr> <th>P/N</th> <th>A</th> <th>B</th> <th>W</th> </tr> </thead> <tbody> <tr> <td>All Others</td> <td>0.094</td> <td>0.180</td> <td>0.240</td> </tr> <tr> <td>CD-25T</td> <td>0.050</td> <td>0.130</td> <td>0.23</td> </tr> </tbody> </table>	P/N	A	B	W	All Others	0.094	0.180	0.240	CD-25T	0.050	0.130	0.23	<p>Products:</p> <p>PIN-6DI PIN-6DPI PIN-44DI PIN-44DPI OSD35-0 OSD35-7Q</p> <p>Pin Circle Dia.=0.295</p> <table border="1"> <thead> <tr> <th>P/N</th> <th>A</th> </tr> </thead> <tbody> <tr> <td>PIN-6DI/6DPI</td> <td>0.115</td> </tr> <tr> <td>PIN-44DI/44DPI</td> <td>0.125</td> </tr> <tr> <td>OSD35-0</td> <td>0.130</td> </tr> <tr> <td>OSD35-7Q</td> <td>0.130 Quartz Window</td> </tr> </tbody> </table>	P/N	A	PIN-6DI/6DPI	0.115	PIN-44DI/44DPI	0.125	OSD35-0	0.130	OSD35-7Q	0.130 Quartz Window
P/N	A	B	W																																	
PIN-020A	0.075	0.200	0.155																																	
PIN-040A	0.075	0.200	0.155																																	
P/N	A	B	W																																	
All Others	0.094	0.180	0.240																																	
CD-25T	0.050	0.130	0.23																																	
P/N	A																																			
PIN-6DI/6DPI	0.115																																			
PIN-44DI/44DPI	0.125																																			
OSD35-0	0.130																																			
OSD35-7Q	0.130 Quartz Window																																			
<p>Products:</p> <p>PIN-2DI PIN-2DPI PIN-3CDP PIN-3CDPI BPX-65R</p> <p>Pin Circle Dia.=0.100</p> <table border="1"> <thead> <tr> <th>P/N</th> <th>A</th> <th>B</th> </tr> </thead> <tbody> <tr> <td>BPX-65R</td> <td>0.070</td> <td>0.200</td> </tr> <tr> <td>All Others</td> <td>0.090</td> <td>0.150</td> </tr> </tbody> </table>	P/N	A	B	BPX-65R	0.070	0.200	All Others	0.090	0.150	<p>Products:</p> <p>PIN-5D PIN-5DP PIN-5DP/SB PIN-13D PIN-13DP PIN-005E-550F UV-001 UV-005 UV-005D UV-005E UV-013D UV-013E UV-015 OSD-5-0 OSD15-0 OSD5-5T OSD15-5T OSD5.8-7Q OSD5.8-7U</p> <p>Pin Circle Dia.=0.200</p> <table border="1"> <thead> <tr> <th>P/N</th> <th>A</th> <th>B</th> </tr> </thead> <tbody> <tr> <td>OSD-Prefix Devices</td> <td>0.050</td> <td>0.130</td> </tr> <tr> <td>All Others</td> <td>0.102</td> <td>0.180</td> </tr> </tbody> </table> <p>Quartz Window: OSD5.8-7Q UV Transmissive Window: OSD5.8-7U</p>	P/N	A	B	OSD-Prefix Devices	0.050	0.130	All Others	0.102	0.180	<p>Products:</p> <p>PIN-6D PIN-6DP PIN-44D PIN-44DP UV-020 UV-035D UV-035E UV-035</p> <p>Pin Circle Dia.=0.295</p>																
P/N	A	B																																		
BPX-65R	0.070	0.200																																		
All Others	0.090	0.150																																		
P/N	A	B																																		
OSD-Prefix Devices	0.050	0.130																																		
All Others	0.102	0.180																																		
<p>Products:</p> <p>PIN-3CD PIN-3CDP BPX-65 OSD1-0 OSD1-5T OSD3-5T OSD1.2-7Q OSD1.2-7U</p> <p>Pin Circle Dia.=0.100</p> <table border="1"> <thead> <tr> <th>P/N</th> <th>A</th> <th>B</th> </tr> </thead> <tbody> <tr> <td>PIN-3CD / 3CDP</td> <td>0.087</td> <td>0.146</td> </tr> <tr> <td>BPX-65</td> <td>0.075</td> <td>0.200</td> </tr> <tr> <td>OSD-Prefix Devices</td> <td>0.080</td> <td>0.200</td> </tr> </tbody> </table> <p>Quartz Window: OSD1.2-7Q UV Transmissive Window: OSD1.2-7U</p>	P/N	A	B	PIN-3CD / 3CDP	0.087	0.146	BPX-65	0.075	0.200	OSD-Prefix Devices	0.080	0.200	<p>Products:</p> <p>PIN-125DPL</p> <p>Pin Circle Dia.=0.100</p>	<p>Products:</p> <p>PIN-HR005 PIN-HR008 PIN-HR020 PIN-HR026 PIN-HR040</p> <p>Pin Circle Dia.=0.100</p>																						
P/N	A	B																																		
PIN-3CD / 3CDP	0.087	0.146																																		
BPX-65	0.075	0.200																																		
OSD-Prefix Devices	0.080	0.200																																		

Mechanical Specifications

All units in inches. Pinouts are bottom view.

16 TO-18 Lensed Cap	17 TO-5	18 TO-5																												
<p>Products:</p> <p>PIN-HR005L PIN-HR008L PIN-HR020L PIN-HR026L PIN-HR040L</p>  <p>Pin Circle Dia.=0.100</p>	<p>Products:</p> <p>PIN-DSS PIN-DSIn</p>  <p>Pin Circle Dia.=0.220</p> <p>Bottom Diode Top Diode PIN-DSS</p> <p>Bottom Diode Top Diode PIN-DSIn</p>	<p>Products:</p> <p>PIN-005D-245F</p>  <p>Pin Circle Dia.=0.215</p>																												
19 Plastic Mold	20 Special Metal	21 Special Metal																												
<p>Products:</p> <p>BPW34 BPW34B</p>  <p>Tab Identifies Cathode (c)</p> <p>(c)</p> <p>typ 15°</p>	<p>Products:</p> <p>SPOT-15-YAG SPOT-9-YAG PIN-100-YAG</p>  <p>Pin Circle Dia.=0.750</p> <p>GR=Guard Ring</p> <p>Pinouts</p> <table border="1" data-bbox="584 1869 1039 1974"> <thead> <tr> <th>P/N</th> <th>1</th> <th>2</th> <th>3</th> <th>4</th> <th>5</th> <th>6</th> </tr> </thead> <tbody> <tr> <td>SPOT-15-YAG</td> <td>C1</td> <td>GR</td> <td>C4</td> <td>C2</td> <td>A</td> <td>C3</td> </tr> <tr> <td>SPOT-9-YAG</td> <td>C1</td> <td>GR</td> <td>C4</td> <td>C2</td> <td>A</td> <td>C3</td> </tr> <tr> <td>PIN-100-YAG</td> <td>--</td> <td>C</td> <td>--</td> <td>--</td> <td>A</td> <td>--</td> </tr> </tbody> </table>	P/N	1	2	3	4	5	6	SPOT-15-YAG	C1	GR	C4	C2	A	C3	SPOT-9-YAG	C1	GR	C4	C2	A	C3	PIN-100-YAG	--	C	--	--	A	--	<p>Products:</p> <p>SC-50D</p>  <p>Pin Circle Dia.=1.110</p>
P/N	1	2	3	4	5	6																								
SPOT-15-YAG	C1	GR	C4	C2	A	C3																								
SPOT-9-YAG	C1	GR	C4	C2	A	C3																								
PIN-100-YAG	--	C	--	--	A	--																								